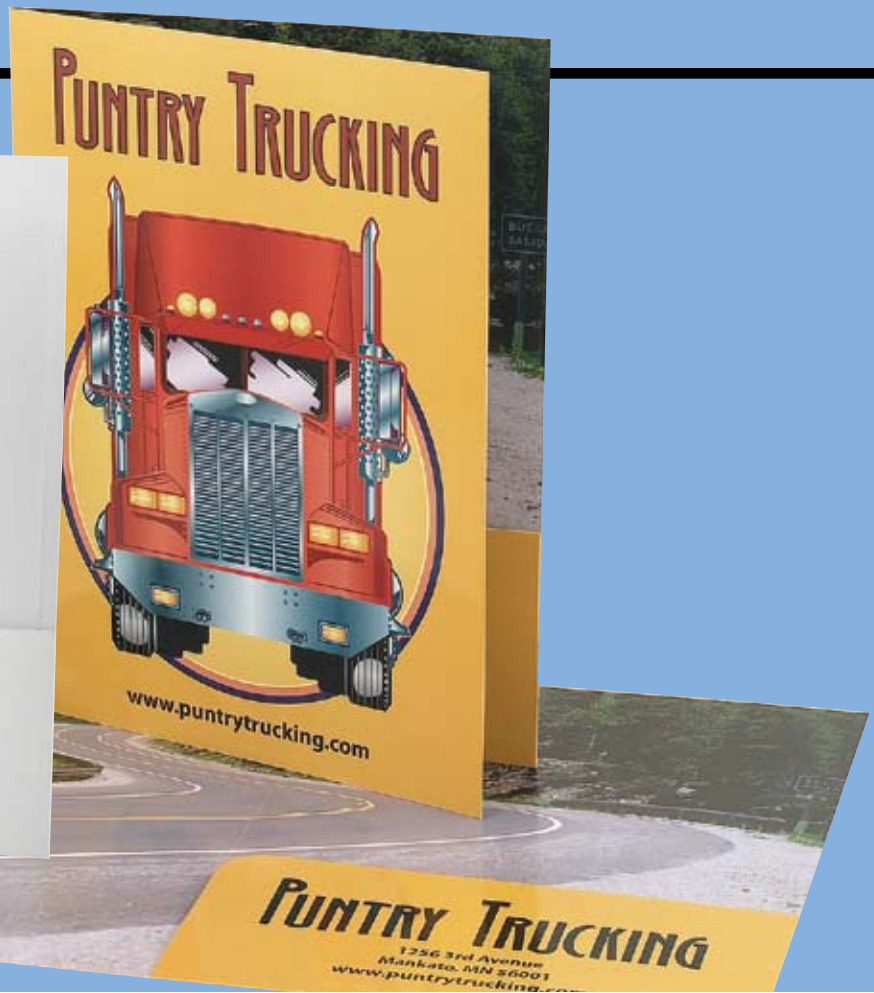


# secured pocket folder



secured pocket folder business value I stocks	smart art code	50	100	250	500	1000	2000	2500	3000	5000
no imprint <b>24hr</b>	-	\$170.00	218.00	359.00	552.00	906.00	1,464.00	1,739.00	1,955.00	2,817.00
1 ink color <b>24hr</b>	1S	\$222.00	289.00	467.00	674.00	1,056.00	1,662.00	1,961.00	2,186.00	3,085.00
2 ink colors <b>24hr</b>	1S	\$342.00	409.00	587.00	814.00	1,229.00	1,899.00	2,228.00	2,478.00	3,460.00
1 color foil stamping* <b>24hr</b>	1S	\$302.00	372.00	557.00	773.00	1,172.00	1,812.00	2,128.00	2,370.00	3,337.00
1 blind embossing*	1X	\$360.00	425.00	596.00	791.00	1,182.00	1,812.00	2,128.00	2,370.00	3,337.00
four color process	4C	\$792.00	859.00	1,037.00	1,264.00	1,679.00	2,349.00	2,678.00	2,928.00	3,910.00

Please note: the above prices are for business value I stocks. For all other stocks, please add the prices below. If not specified, raised ink will be used. For smart artwork guidelines see page 25.

## additional stock options

(add the charges below to the top prices)

	50	100	250	500	1000	2000	2500	3000	5000
business value II stocks	\$9.00	14.00	32.00	57.00	110.00	200.00	240.00	289.00	450.00
business basics I stocks	\$8.00	13.00	28.00	45.00	85.00	160.00	200.00	240.00	400.00
business basics II stocks	\$58.00	72.00	93.00	126.00	191.00	380.00	475.00	570.00	950.00
business advantage I stocks	\$55.00	65.00	79.00	98.00	135.00	270.00	337.00	405.00	675.00
business advantage II stocks	\$86.00	95.00	135.00	178.00	355.00	710.00	813.00	960.00	1,575.00
business advantage III stocks	\$138.00	164.00	225.00	322.00	530.00	1,060.00	1,325.00	1,590.00	2,650.00
business premier stocks	\$175.00	330.00	551.00	918.00	1,530.00	3,060.00	3,825.00	4,590.00	7,650.00
green inspiration stocks	\$50.00	60.00	74.00	93.00	130.00	250.00	312.00	375.00	625.00

## additional printing options

(add the charges below to the top prices)

	50	100	250	500	1000	2000	2500	3000	5000
heavy ink coverage	not available		\$169.35	181.05	204.35	251.05	274.35	297.70	391.05
uv coating	not available		\$169.35	181.05	204.35	251.05	274.35	297.70	391.05
each additional ink color	not available		\$120.00	140.00	173.00	237.00	267.00	292.00	375.00
inside copy (above pockets)	not available		\$116.80	136.70	171.40	232.60	258.10	277.45	355.00
additional foil stamp run*	not available		\$192.30	229.00	302.30	448.85	522.20	595.55	887.45
additional blind emboss run*	not available		\$234.00	254.00	312.30	448.85	522.20	595.55	887.45

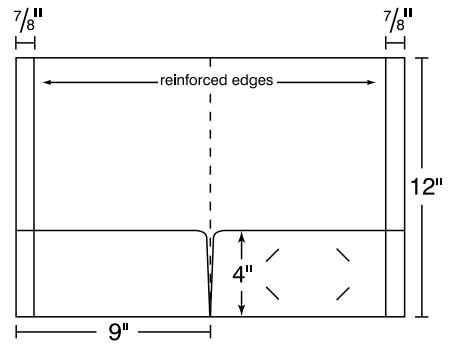
(R) \*Price includes up to a 36 square inch die.

**PROFIT**  
driver

**secured pocket folder**

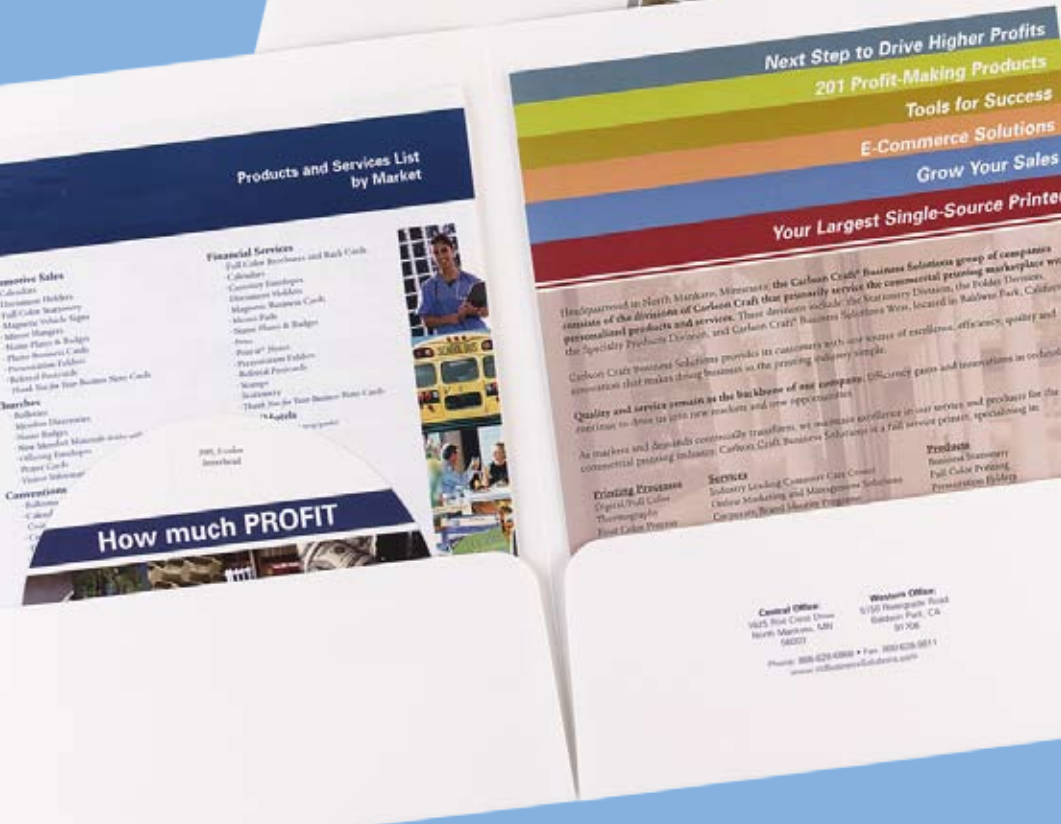
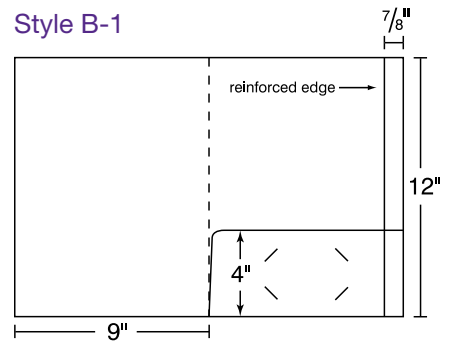
**Item Number UF8-B-2**

Style B-2



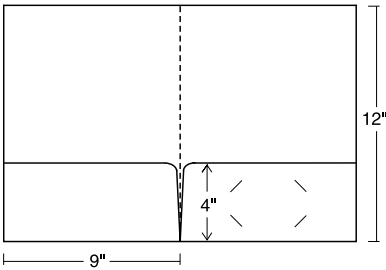
**Item Number UF8-B-1**

Style B-1



**Item Number UF8-F-2**

Style F-2



**Item Number UF8-F-1**

Style F-1

