

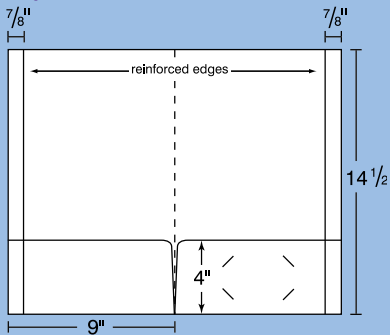
legal folder

Item Number UF8-L-1 (one pocket)

Style L-1

Item Number UF8-L-2 (two pockets)

Style L-2

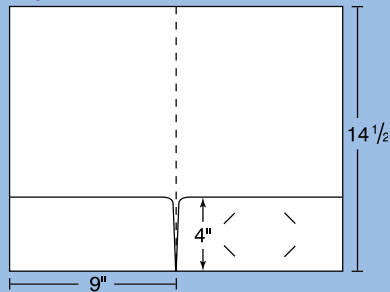


Item Number UF8-M-1 (one pocket)

Style M-1

Item Number UF8-M-2 (two pockets)

Style M-2



legal folder

business value I stocks

smart art code

50 100 250 500 1000 2000 2500 3000 5000

business value I stocks	smart art code	50	100	250	500	1000	2000	2500	3000	5000
no imprint	-	\$237.00	308.00	457.00	684.00	1,067.00	1,831.00	2,204.00	2,495.00	3,658.00
1 color flat ink 24hr	1S	\$289.00	379.00	565.00	806.00	1,217.00	2,029.00	2,426.00	2,726.00	3,926.00
2 color flat inks 24hr	1S	\$409.00	499.00	685.00	946.00	1,390.00	2,266.00	2,693.00	3,018.00	4,301.00
1 color foil stamping* 24hr	1S	\$369.00	462.00	655.00	905.00	1,333.00	2,179.00	2,593.00	2,910.00	4,178.00
1 blind embossing* 24hr	1X	\$427.00	515.00	694.00	923.00	1,343.00	2,179.00	2,593.00	2,910.00	4,178.00
four color process	4C	not available	\$1,337.00	1,564.00	1,947.00	2,711.00	3,084.00	3,457.00	4,948.00	

Please note: the above prices are for business value I stocks. For all other stocks, please add the prices below. For smart artwork guidelines see page 25.

additional stock options

(add the charges below to the top prices)

	50	100	250	500	1000	2000	2500	3000	5000
business value II stocks	\$9.00	14.00	32.00	57.00	110.00	200.00	240.00	289.00	450.00
business basics I stocks	\$8.00	13.00	28.00	45.00	85.00	160.00	200.00	240.00	400.00
business basics II stocks	\$58.00	72.00	93.00	126.00	191.00	380.00	475.00	570.00	950.00
business advantage I stocks	\$55.00	65.00	79.00	98.00	135.00	270.00	337.00	405.00	675.00
business advantage II stocks	\$86.00	95.00	135.00	178.00	355.00	710.00	813.00	960.00	1,575.00
business advantage III stocks	\$138.00	164.00	225.00	322.00	530.00	1,060.00	1,325.00	1,590.00	2,650.00
business premier stocks	\$175.00	330.00	551.00	918.00	1,530.00	3,060.00	3,825.00	4,590.00	7,650.00
green inspiration stocks	\$50.00	60.00	74.00	93.00	130.00	250.00	312.00	375.00	625.00

additional printing options

(add the charges below to the top prices)

	50	100	250	500	1000	2000	2500	3000	5000
heavy ink coverage	not available		\$169.35	181.05	204.35	251.05	274.35	297.70	391.05
uv coating	not available		\$169.35	181.05	204.35	251.05	274.35	297.70	391.05
each additional ink color	not available		\$120.00	140.00	173.00	237.00	267.00	292.00	375.00
inside copy (above pockets)	not available		\$116.80	136.70	171.40	232.60	258.10	277.45	355.00
additional foil stamp run*	not available		\$192.30	229.00	302.30	448.85	522.20	595.55	887.45
additional blind emboss run*	not available		\$234.00	254.00	312.30	448.85	522.20	595.55	887.45

(R) *Price includes up to a 36 square inch die.