

Conformer® Expansion Products - legal size

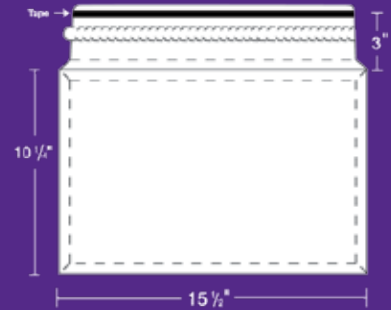


Place a FedEx®, Priority Mail® or UPS® shipping label directly onto your corporate branded Conformer® Expansion envelope, promoting your corporate identity instead of your couriers.

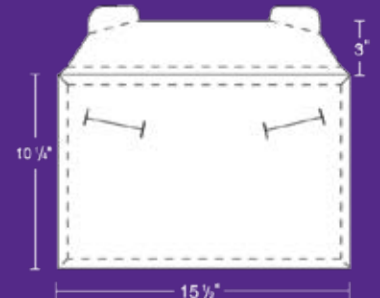
Legal Conformer® Folder
Item Number UF8-QL-2
Style QL-2



Legal Conformer® Envelope
Item Number UF8-QEZL
Style QEZL



Legal Conformer® Envelope
Item Number UF8-QETL
Style QETL



legal Conformer® folder business value I stocks	smart art code	50	100	250	500	1000	2000	2500	3000	5000
1 color flat ink 24hr	1S	\$318.00	417.00	621.00	887.00	1,339.00	2,232.00	2,666.00	3,009.00	4,328.00
2 color flat inks 24hr	1S	\$438.00	537.00	741.00	1,027.00	1,512.00	2,469.00	2,933.00	3,301.00	4,703.00
1 color foil stamping* 24hr	1S	\$398.00	500.00	711.00	986.00	1,455.00	2,382.00	2,833.00	3,193.00	4,580.00
1 blind embossing*	1X	\$456.00	553.00	750.00	1,004.00	1,465.00	2,382.00	2,833.00	3,193.00	4,580.00
four color process	4C	not available		\$1,483.00	1,735.00	2,159.00	3,004.00	3,414.00	3,788.00	5,284.00

legal Conformer® envelope business value I stocks	smart art code	50	100	250	500	1000	2000	2500	3000	5000
1 color flat ink	1S	not available		\$875.00	1,169.00	1,740.00	2,878.00	3,437.00	3,976.00	6,130.00
2 color flat inks	1S	not available		\$995.00	1,309.00	1,913.00	3,115.00	3,704.00	4,268.00	6,505.00
1 color foil stamping*	1S	not available		\$965.00	1,268.00	1,856.00	3,028.00	3,604.00	4,160.00	6,382.00
1 blind embossing*	1X	not available		\$1,004.00	1,286.00	1,866.00	3,028.00	3,604.00	4,160.00	6,382.00
four color process	4C	not available		\$1,745.00	2,025.00	2,568.00	3,660.00	4,205.00	4,745.00	6,904.00

(R) *Price includes up to a 36 square inch die.

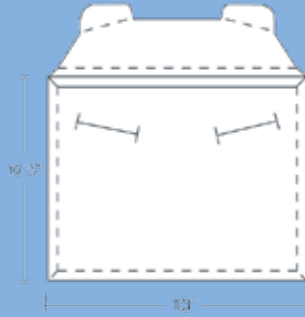
Please note: the above prices are for business value I stocks. For additional stock and printing options, see page 11 for pricing. For smart artwork guidelines see page 25.

U.S. patent number is required to print on all Conformer® Expansion Products: 6,116,651 Conformer® Expansion Folder • 6,227,444 Conformer® Expansion Envelope.

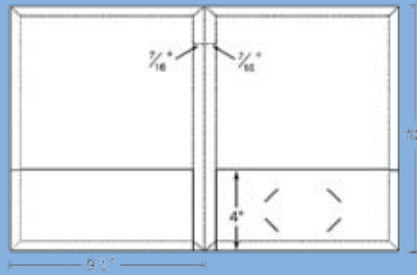
Conformer® is a registered trademark of CONFORMER EXPANSION PRODUCTS, INC.

Conformer® Expansion Products - standard size

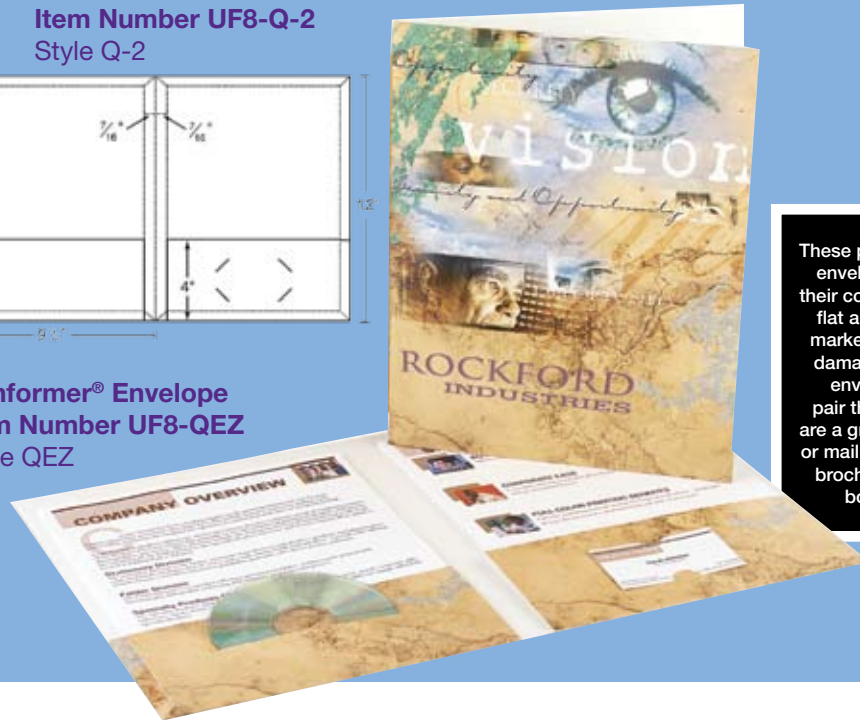
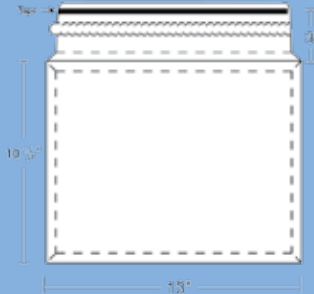
Conformer® Envelope
Item Number UF8-QET
Style QET



Conformer® Folder
Item Number UF8-Q-2
Style Q-2



Conformer® Envelope
Item Number UF8-QEZ
Style QEZ



These patented folders and envelopes expand to fit their contents while staying flat and protecting your marketing materials from damage. Use a folder or envelope by itself or pair them together. They are a great way to hand out or mail up to 3/4" proposals, brochures, spiral bound books and more!

Conformer® folder	smart		50	100	250	500	1000	2000	2500	3000	5000
business value I stocks	art code										
1 ink color 24hr	1S	\$247.00	323.00	521.00	757.00	1,183.00	1,869.00	2,203.00	2,481.00	3,488.00	
2 ink colors 24hr	1S	\$367.00	443.00	641.00	897.00	1,356.00	2,106.00	2,470.00	2,773.00	3,863.00	
1 color foil stamping* 24hr	1S	\$327.00	406.00	611.00	856.00	1,299.00	2,019.00	2,370.00	2,665.00	3,740.00	
1 blind embossing*	1X	\$385.00	459.00	650.00	874.00	1,309.00	2,019.00	2,370.00	2,665.00	3,740.00	
four color process	4C	\$817.00	893.00	1,091.00	1,347.00	1,806.00	2,556.00	2,920.00	3,223.00	4,313.00	

Conformer® Envelope	smart		50	100	250	500	1000	2000	2500	3000	5000
business value I stocks	art code										
1 color flat ink 24hr	1S	\$540.00	613.00	792.00	1,040.00	1,515.00	2,456.00	2,926.00	3,366.00	5,126.00	
2 color flat inks 24hr	1S	\$660.00	733.00	912.00	1,180.00	1,688.00	2,693.00	3,193.00	3,658.00	5,501.00	
1 color foil stamping* 24hr	1S	\$620.00	696.00	882.00	1,139.00	1,631.00	2,606.00	3,093.00	3,550.00	5,378.00	
1 blind embossing*	1X	\$678.00	749.00	921.00	1,157.00	1,641.00	2,606.00	3,093.00	3,550.00	5,378.00	
four color process	4C	\$1,468.00	1,532.00	1,684.00	1,929.00	2,419.00	3,399.00	3,889.00	4,379.00	6,339.00	

Please note: the above prices are for business value I stocks. For all other stocks, please add the prices below. For smart artwork guidelines see page 25.

additional stock options

(add the charges below to the top prices)	50	100	250	500	1000	2000	2500	3000	5000
business value II stocks	\$9.00	14.00	32.00	57.00	110.00	200.00	240.00	289.00	450.00
business basics I stocks	\$8.00	13.00	28.00	45.00	85.00	160.00	200.00	240.00	400.00
business basics II stocks	\$58.00	72.00	93.00	126.00	191.00	380.00	475.00	570.00	950.00
business advantage I stocks	\$55.00	65.00	79.00	98.00	135.00	270.00	337.00	405.00	675.00
business advantage II stocks	\$86.00	95.00	135.00	178.00	355.00	710.00	813.00	960.00	1,575.00
business advantage III stocks	\$138.00	164.00	225.00	322.00	530.00	1,060.00	1,325.00	1,590.00	2,650.00
business premier stocks	\$175.00	330.00	551.00	918.00	1,530.00	3,060.00	3,825.00	4,590.00	7,650.00
green inspiration stocks	\$50.00	60.00	74.00	93.00	130.00	250.00	312.00	375.00	625.00

additional printing options

(add the charges below to the top prices)	50	100	250	500	1000	2000	2500	3000	5000
heavy ink coverage	not available		\$169.35	181.05	204.35	251.05	274.35	297.70	391.05
uv coating	not available		\$169.35	181.05	204.35	251.05	274.35	297.70	391.05
each additional ink color	not available		\$120.00	140.00	173.00	237.00	267.00	292.00	375.00
inside copy (above pockets)	not available		\$116.80	136.70	171.40	232.60	258.10	277.45	355.00
additional foil stamp run*	not available		\$192.30	229.00	302.30	448.85	522.20	595.55	887.45
additional blind emboss run*	not available		\$234.00	254.00	312.30	448.85	522.20	595.55	887.45

(R) *Price includes up to a 36 square inch die.

Conformer® is a registered trademark of CONFORMER® EXPANSION PRODUCTS, INC.